



THE WIDEST RANGE ON THE MARKET



TREE PRUNING HEDGE CUTTERS



THA 360



THA 270



Tree pruning & hedge cutters **KIROGN**



www.kirogn.eu /



"KIROGN"[®] THA 270



**INDEPENDENT
AND COMPACT,**
this machine is very easy to use.

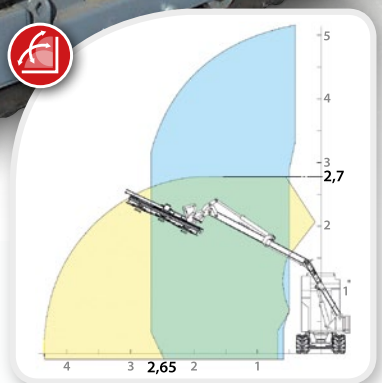


PERFORMANCE: THA 270

Designed for working in the narrowest work sites, the **KIROGN[®] THA270** meets the greatest number of professional's expectations.



Simplicity of the control panel



ADVANTAGES: THA 270

- Cutting quality of its pruning blade **KIROGN[®] MINILEM[®]**
- Possibility to cut at the closest of the hedge
- The weight is balanced thanks to the caterpillar tracks
- Versatile, this machine can receive other tools: cement mixer, forklift, small trailer with rails, etc.



AVAILABLE OPTIONS



- Kit saw blades Ø500 mm



- Lamier Mulching™



- Inclinometer with safety beep



- Hydraulic shift of the cutting element



- Choice of machine color



- Biodegradable oil

TECHNICAL SPECIFICATIONS OF THE THA270

Size type	Vertical (in panels) and Horizontal (in plate)
Maximum horizontal cutting height	2,70 m
Maximum vertical cutting height	5,00 m
Pruning blade	3 plates
Maximum offset	2,65 m
Speed control of cylinder movements	Multiple speed ranges
Hydraulic power supply	Using a separate hydraulic power pack
Estimated machine weight	990 kg
Caterpillar tracks width	77 cm to 107 cm
HONDA engine	23 hp petrol
Folding into transport position	Yes